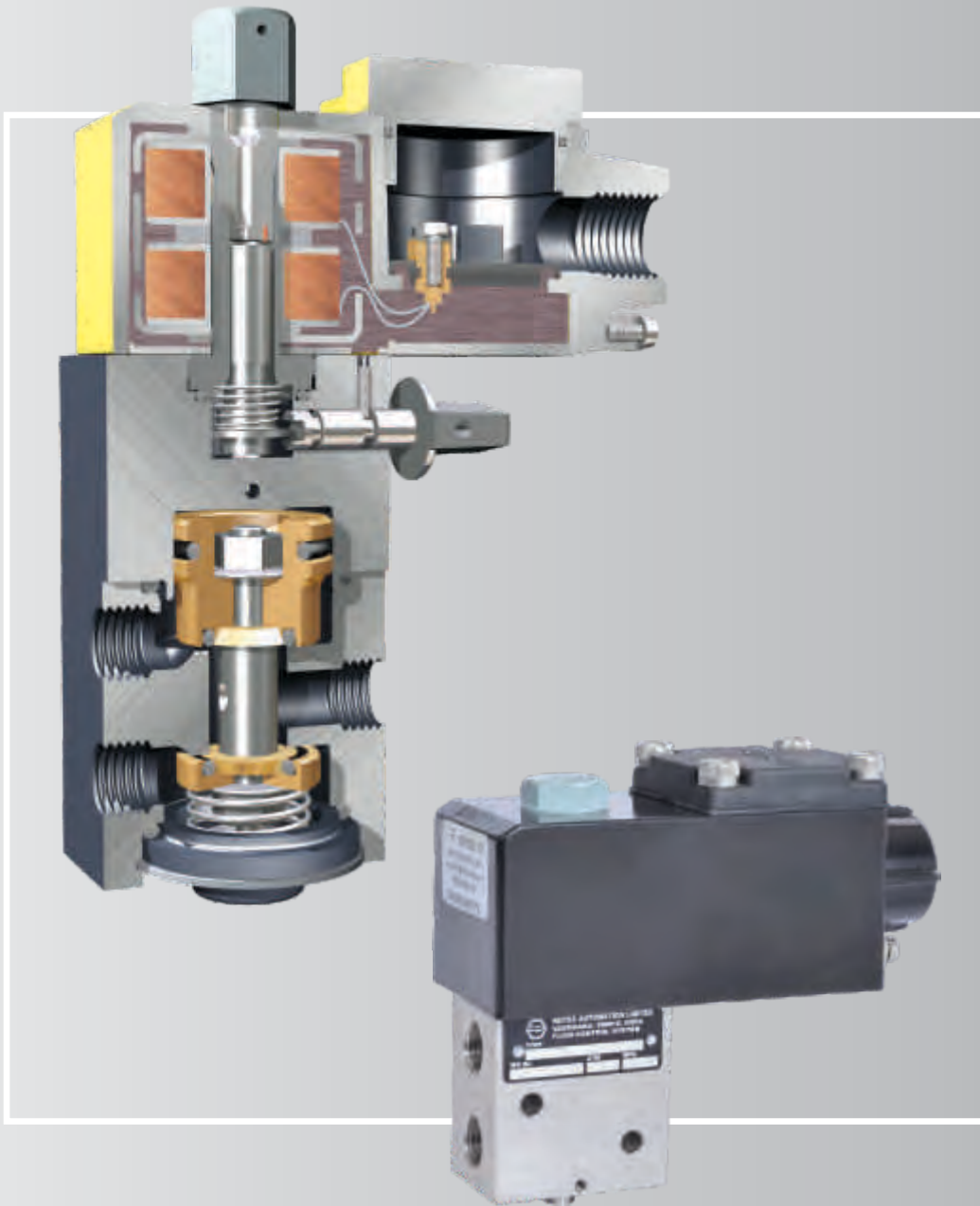


# *Rotex* Controls - Solenoid Valves



**ROTEX**  
INFINITY ACTUATORS

**Rotex Controls, LLC.**  
21 Sullivan Parkway, Ft. Edward, NY 12828 888-813-9772  
[www.rotexcontrols.com](http://www.rotexcontrols.com)

## Introduction

**The Rotex Vision : To achieve excellence at all cost and improve upon it in every thought and action.**

Rotex is a leading manufacturer of solenoid valves and air operated valves with a customer base spanning the globe. Industries served include Oil and Gas, Off Shore, Paper, Petrochemical, Chemical, Pharmaceutical, Water Treatment, Food Processing and Nuclear Power. Rotex's history of innovation and continuous improvement is a testament to our vision. With our customers needs always in the forefront, we are continually improving and expanding our product lines. From the concept stage, to design, to manufacturing in our state of the art production facilities, and in the final stages of inspection and testing, our goal of exceeding our customers expectations will guarantee you get top quality products you can rely on.

**Rotex Controls is the source for all of your automation needs.**



## Overview

### NAMUR Solenoids :

- Model 30106 - 1/4" NAMUR, 3/2, Anodized Aluminum, Seals NBR
- Model 51424 - 1/4" NAMUR, 3/2 or 5/2 Convertible, Anodized Aluminum or Stainless Steel, Seals NBR
- Model 51450V01 - 1/4" NAMUR, 3/2 or 5/2 Convertible, Anodized Aluminum or Stainless Steel, Seals NBR in 3/2 mode, exhausts to spring chamber.

### PIPE MOUNT Solenoids :

- Model 30334 - 1/4" NPT, 3/2, Anodized Aluminum or Stainless Steel, Seals NBR
- Model 31119 - 1/2" NPT, 3/2, Anodized Aluminum or Stainless Steel, Seals NBR
- Model 51440 - 1/4" or 1/2" NPT, 5/2, Anodized Aluminum or Stainless Steel, Seals NBR

### COILS :

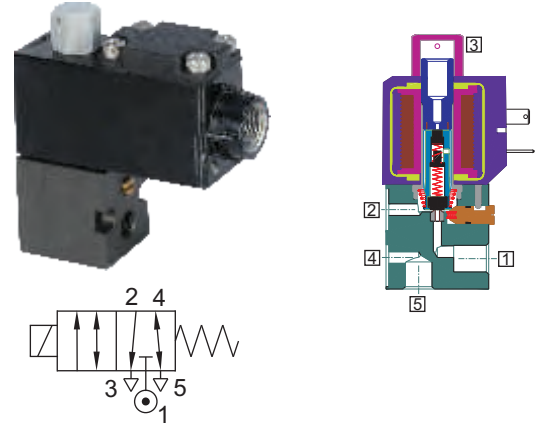
- Coil Insulation - Class F
- Weatherproof - 120 VAC or 24 VDC, with junction box 1/2" NPT, IP67, Power 8W
- Explosion Proof - 120 VAC or 24 VDC, with junction box 1/2" NPT, ATEX Exd IIC T6, IP67, Power 8W
- Intrinsically Safe - 24 VDC, with junction box 1/2" NPT, ATEX Exia IIC T6, IP67, Consult Rotex for entity and minimum operating parameters.

## NAMUR Mount Solenoid

### 3/2, Normally Closed Solenoid

- 1/4" NAMUR mounting pad.
- Direct acting.
- Economical.
- Dust cap provided on the exhaust port.
- 0 to 145 psid, -4 to 158 °F.
- Cv = 0.13
- Standard with Manual Override.
- Seals NBR
- Available with Aluminum body only.
- Weatherproof, Explosion Proof, or IS coil, IP67.
- Coil Insulation : Class F

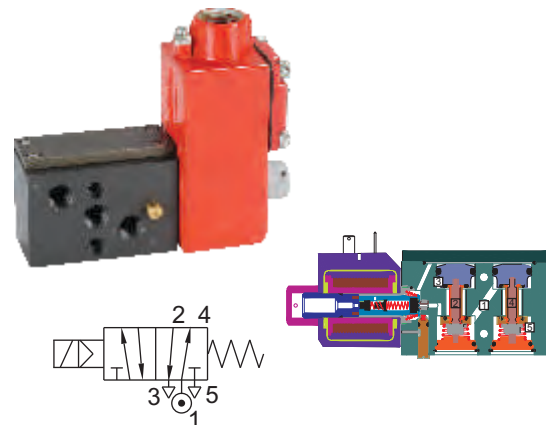
Model 30106



### 3/2 or 5/2, Poppet Type Solenoid

- Convertible for either 3/2 or 5/2 operation.
- 1/4" NAMUR mounting pad.
- Economical.
- Dust cap provided on the exhaust port.
- 29 to 145 psid, -4 to 158 °F.
- Cv = 0.84
- Standard with Manual Override.
- Seals NBR
- Available with Aluminum or Stainless body.
- Weatherproof, Explosion Proof, or IS coil, IP67.
- Coil Insulation : Class F

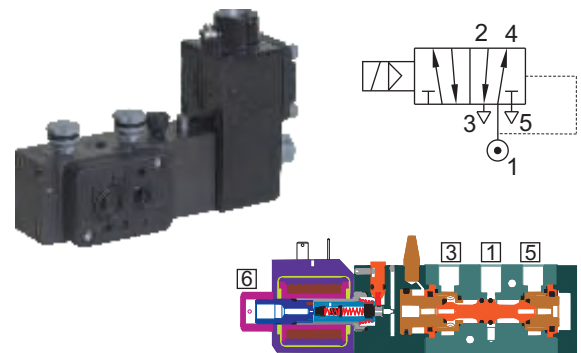
Model 51424



### 3/2 or 5/2, Poppet Type Solenoid

- Convertible for either 3/2 or 5/2 operation.
- 1/4" NAMUR mounting pad.
- In 3/2 mode exhaust purged to spring chamber.
- Excellent for dusty environments.
- Dust caps provided on the exhaust ports.
- 29 to 145 psid, -4 to 158 °F.
- Cv = 1.2
- Standard with Manual Override.
- Seals NBR
- Available with Aluminum or Stainless body.
- Weatherproof, Explosion Proof, or IS coil, IP67.
- Coil Insulation : Class F

Model 51450V01

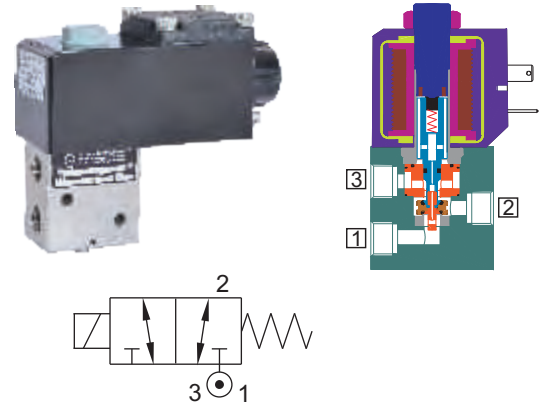


## Pipe Mount Solenoids

### 3/2, Universal Solenoid

1/4" NPT connections.  
 Direct acting.  
 Economical.  
 Suitable for spring return actuator.  
 0 to 145 psid, -4 to 158 °F.  
 $C_v = 0.70$   
 Standard without Manual Override.  
 Seals NBR  
 Available with Aluminum or Stainless body.  
 Weatherproof, Explosion Proof, or IS coil, IP67.

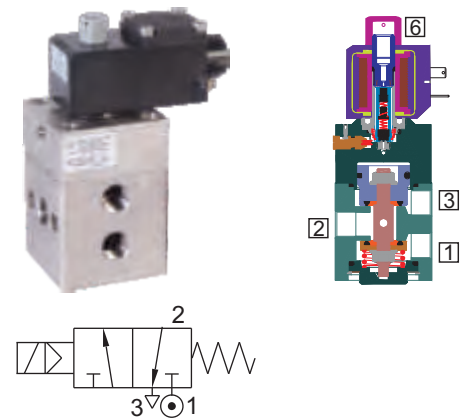
**Model 30334**



### 3/2, Normally Closed Solenoid

1/2" NPT connections.  
 Pilot operated.  
 Economical.  
 Suitable for spring return actuator.  
 29 to 145 psid, -4 to 158 °F.  
 $C_v = 5.25$   
 Standard with Manual Override.  
 Seals NBR  
 Available with Aluminum or Stainless body.  
 Weatherproof, Explosion Proof, or IS coil, IP67.  
 Coil Insulation : Class F

**Model 31119**



### 5/2, Poppet Style Solenoid

1/4" or 1/2" NPT connections.  
 Pilot operated.  
 Economical.  
 Suitable for double acting actuator.  
 29 to 145 psid, -4 to 158 °F.  
 $C_v$  1/4" = 1.2,  $C_v$  1/2" = 4.2  
 Standard with Manual Override.  
 Seals NBR  
 Available with Aluminum or Stainless body.  
 Weatherproof, Explosion Proof, or IS coil, IP67.  
 Coil Insulation : Class F

**Model 51440**

