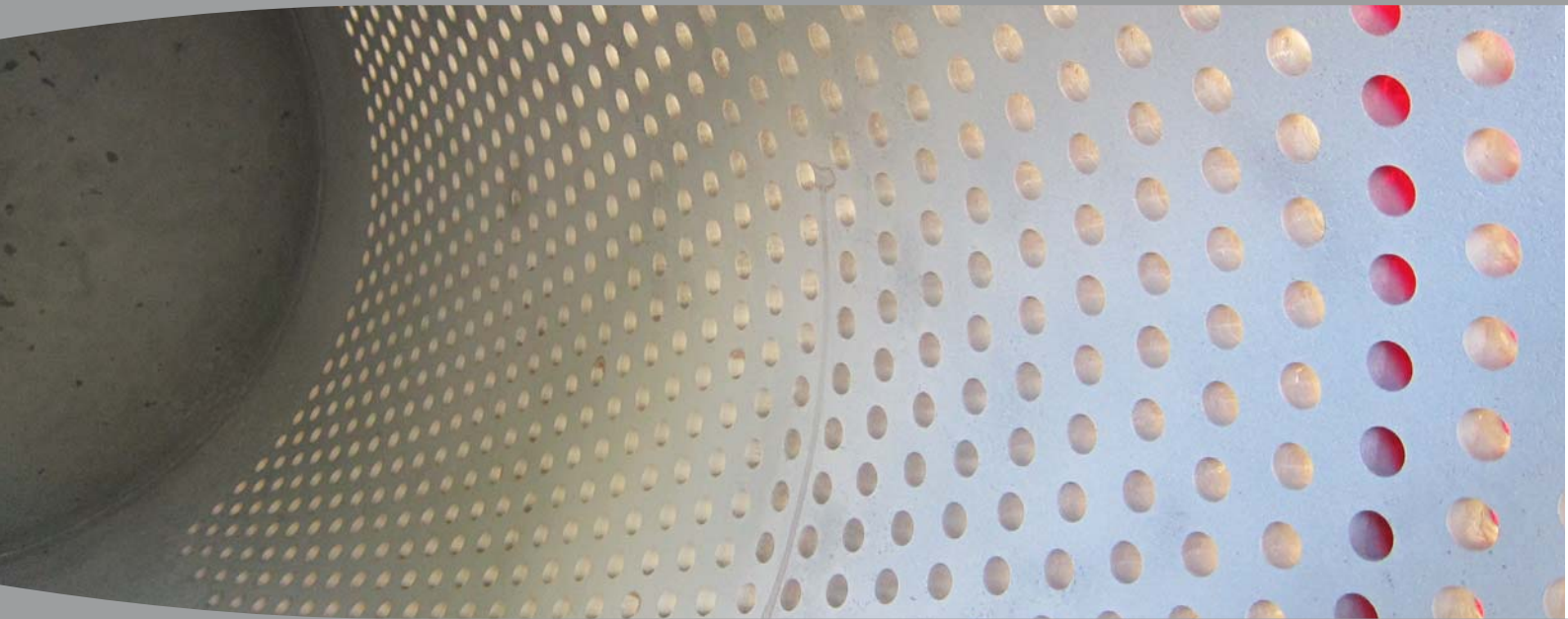




BOMAF[®]
Special Valve Solutions

www.bomafa.de



Dump Tubes

- Customized design
- Single and multi - stage
- Resistant to abrasion

BOMAF Valves



Power
(1000 MW)



Chemistry



Industry

BOMAF develops and produces high-quality valves for steam, gas and water. The valves are used in nearly all kinds of power plants, chemical and petrochemical plants and a range of various other industrial applications.

Pressure reduction in LP - Systems

Dump Tubes

Dump tubes are used in applications where the pressure of gas or vapor-like media is greatly reduced. They are used mostly after LP-Steam conditioning valves at the transition to a condenser.

The great advantage of a dump tube is that a multi-stage pressure reduction and the resulting expansion of the pipe diameter (partly over DN 2500) can be implemented inexpensively.

They also significantly contribute to the control of noise emissions.



fig. 1

Technical Data

	Inlet	Outlet
Diameter nominal	from DN 300 / 12"	up to DN 2500 / 100"
Pressure nominal	PN 10 - PN 40 Class 150 - Class 300	PN 10 - PN 16 Class 150
Temperature control	Stand alone desuperheater or steam conditioning valve prior to inlet	
No. of pressure reducing stages	Up to 4 stages	
Design	<ul style="list-style-type: none"> - Probe type - Probe type with dished boiler end - Complete unit 	
Installation	<ul style="list-style-type: none"> - Stand alone - Part of steam conditioning valve 	
Pipe connection	Weld ends or flanges according to DIN, ASME or I.B.R.	
Materials	- A105, A182 F1, A 182 F12, A182 F22, A 182 F91	
Noise	By standard < 85 dB(a) with insulation. Lower noise levels can be applied upon request.	
Quality standards	BOMAFAs valves are manufactured in accordance with the requirements of PED 97/23/EC and DIN ISO 9001. ASME or I.B.R. upon request.	

Design

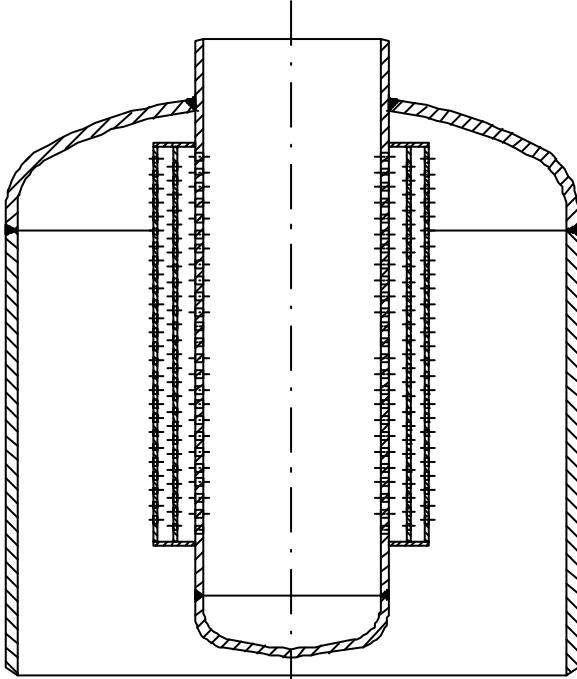


fig. 2: Complete unit, consisting of pressure reducing elements, dished boiler end and pipe.

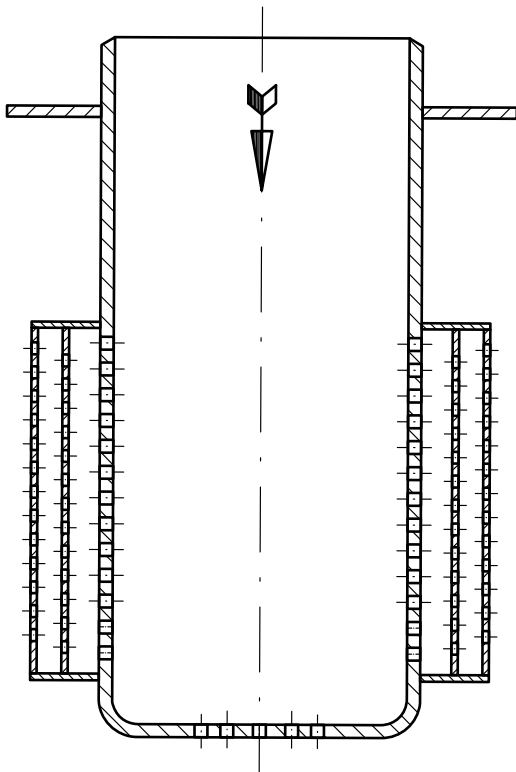


fig. 3 The probe type dump tube contains the pressure reducing elements and a suitable welding preparation

Design Features

Low noise emissions by subcritical multi-stage pressure reduction.

Fully equipped for a simple connection to the piping system

Durable due to optimized adjustment to the overall process.

